

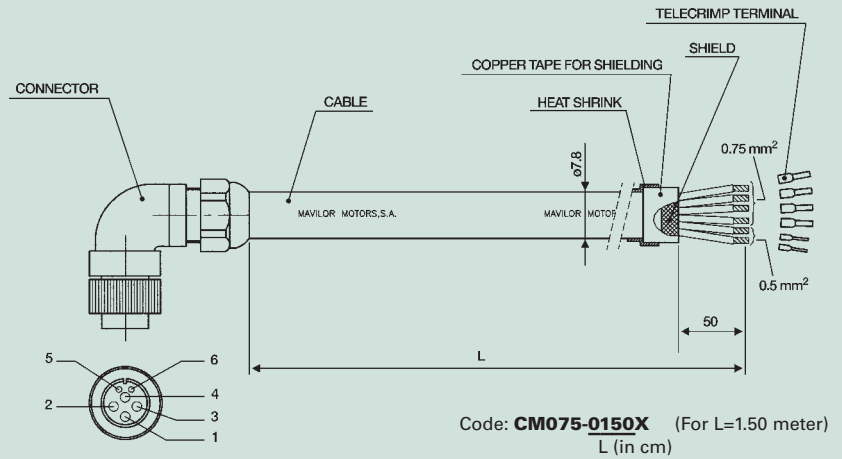


## Motors

# Power Cable Assembly Kit

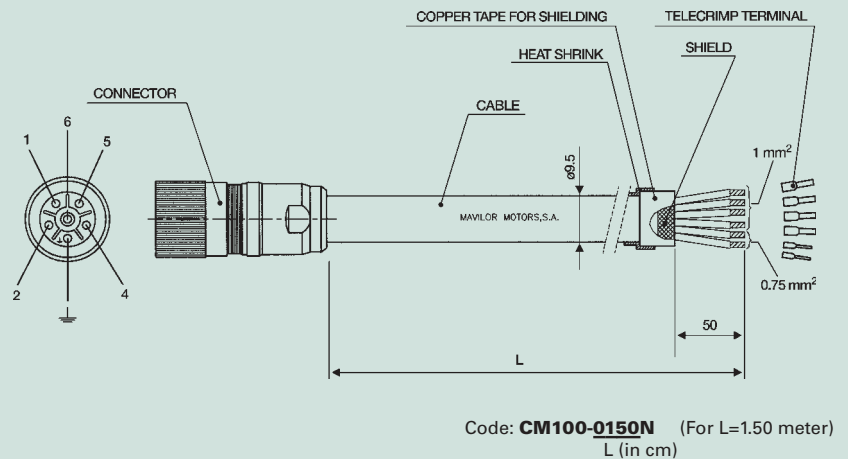
## BL-40

CONTACT	COLOR	FUNCTION
1	Brown	Phase 1 U
2	Black	Phase 2 V
3	Blue	Phase 3 W
4	Yellow/Green	Ground $\oplus$
5	Red	Brake +
6	White	Brake -



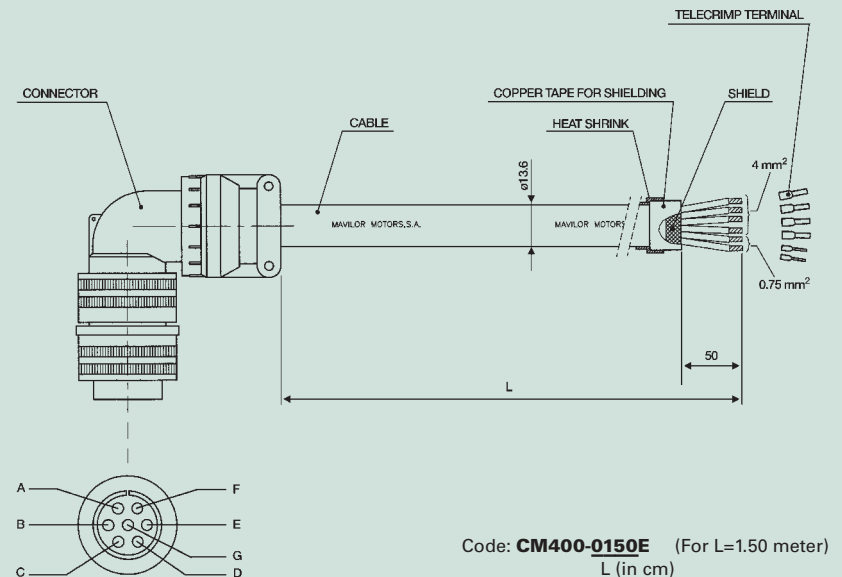
## BL-50/70

CONTACT	COLOR	FUNCTION
1	Blue	Phase 3 W
2	Brown	Phase 1 U
$\oplus$	Yellow/Green	Ground $\oplus$
4	Black	Phase 2 V
5	Red	Brake +
6	White	Brake -



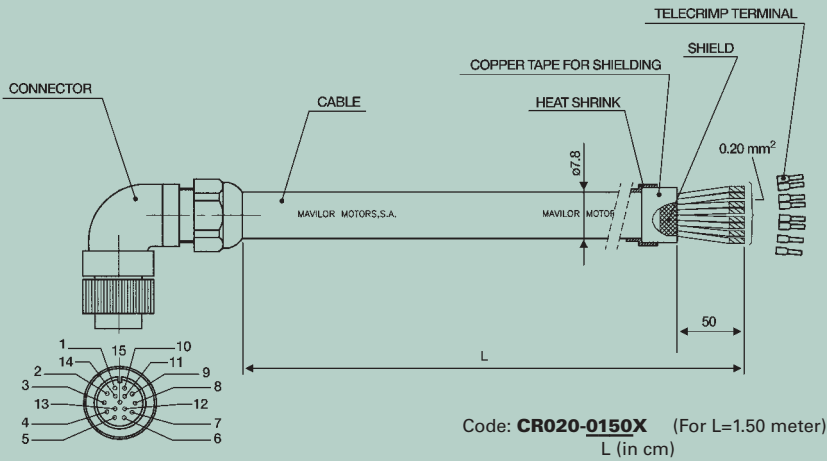
## BL-110/140 MA-6 to MA-55

CONTACT	COLOR	FUNCTION
A	Brown	Phase 1 U
B	Black	Phase 2 V
C	Blue	Phase 3 W
D	Yellow/Green	Ground $\oplus$
E	Red	Brake +
F	White	Brake -



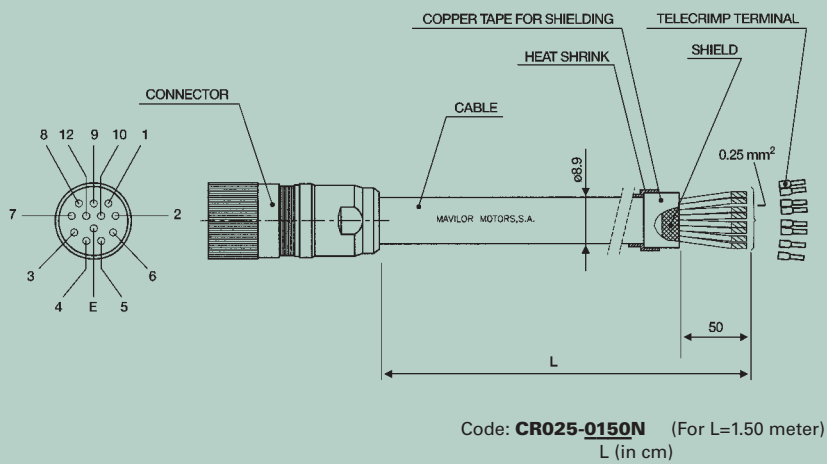
# Resolver Cable Assembly Kit

## BL-40



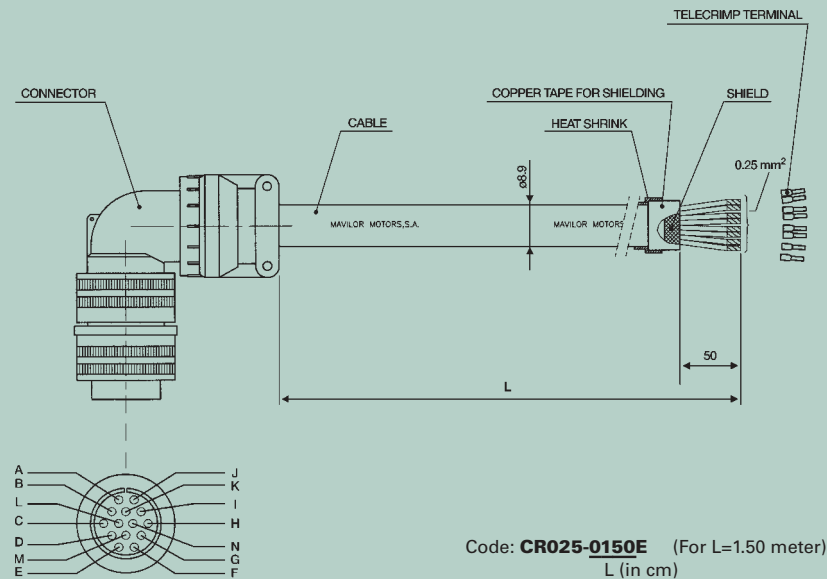
CONTACT	COLOR	FUNCTION
1	Grey	S4 (SEN -)
2	Pink	S2 (SEN +)
3	Blue	S1 (COS -)
4	Red	S3 (COS +)
5	Yellow	R1 (REF +)
6	Green	R2 (REF -)
7	Brown	Temp. Contact
8	White	Temp. Contact

## BL-50/70



CONTACT	COLOR	FUNCTION
2	Pink	S2 (SEN +)
1	Grey	S4 (SEN -)
3	Blue	S1 (COS -)
4	Red	S3 (COS +)
8	Yellow	R1 (REF +)
7	Green	R2 (REF -)
5	Brown	Temp. Contact
6	White	Temp. Contact

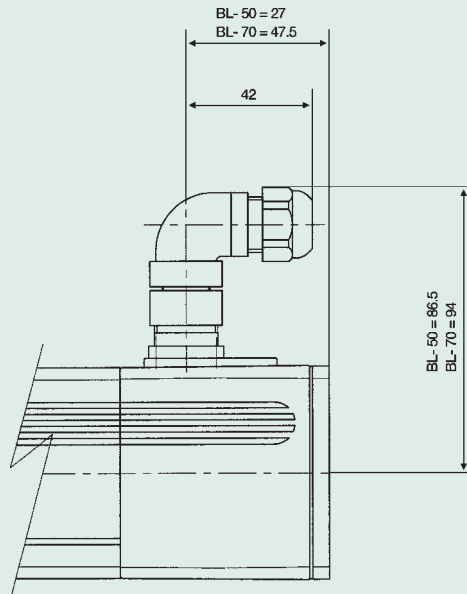
## BL-110/140 MA-3 to MA-55



CONTACT	COLOR	FUNCTION
A	Pink	S2 (SEN +)
B	Grey	S4 (SEN -)
C	Blue	S1 (COS -)
D	Red	S3 (COS +)
E	Yellow	R1 (REF +)
F	Green	R2 (REF -)
H	Brown	Temp. Contact
I	White	Temp. Contact

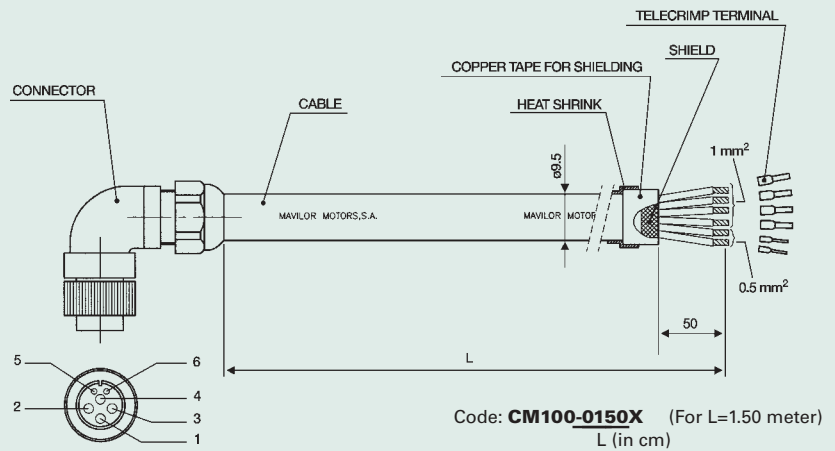
# Optional Connectors

## BL-50/70



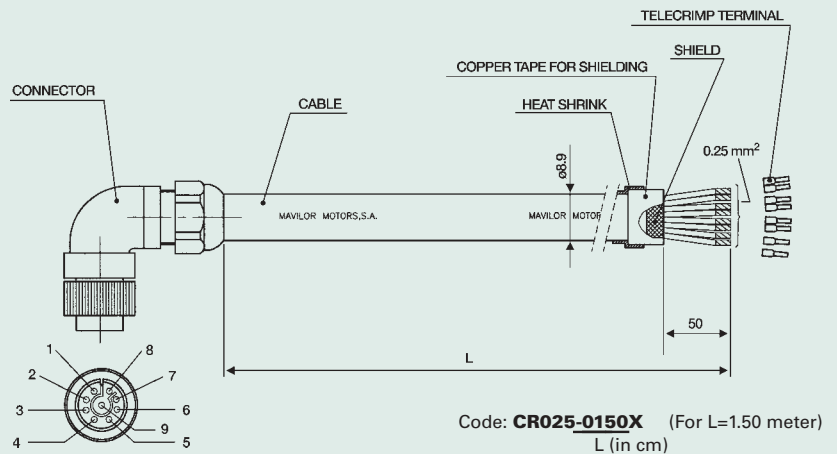
## BL-50/70 Power Cable Assembly Kit (optional)

CONTACT	COLOR	FUNCTION
1	Brown	Phase 1 U
2	Black	Phase 2 V
3	Blue	Phase 3 W
4	Yellow/Green	Ground $\oplus$
5	Red	Brake +
6	White	Brake -



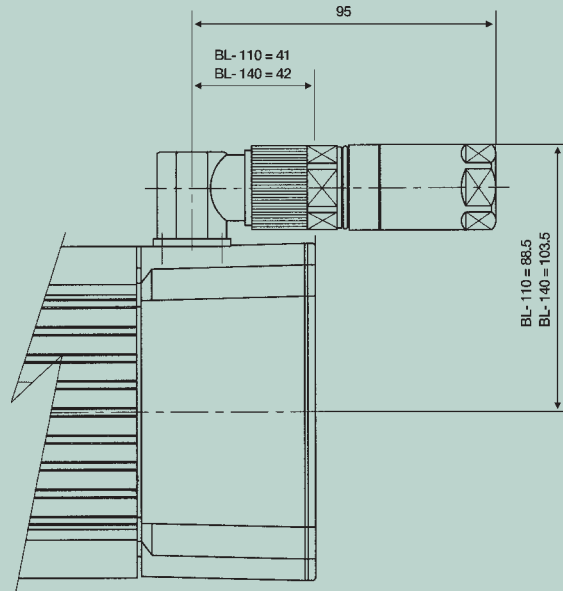
## BL-50/70 Resolver Cable Assembly Kit (optional)

CONTACT	COLOR	FUNCTION
1	Grey	S4 (SEN -)
2	Pink	S2 (SEN +)
3	Blue	S1 (COS -)
4	Red	S3 (COS +)
5	Yellow	R1 (REF +)
6	Green	R2 (REF -)
7	Brown	Temp. Contact
8	White	Temp. Contact

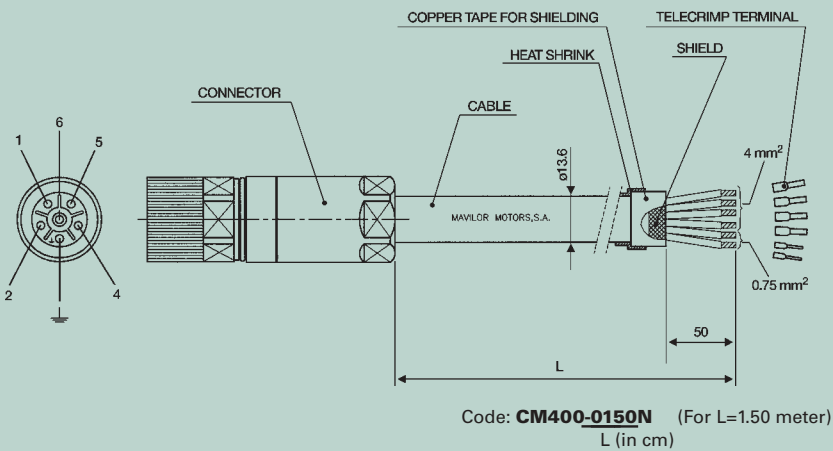


# Optional Connector

## BL-110/140 (No terminal BOX)

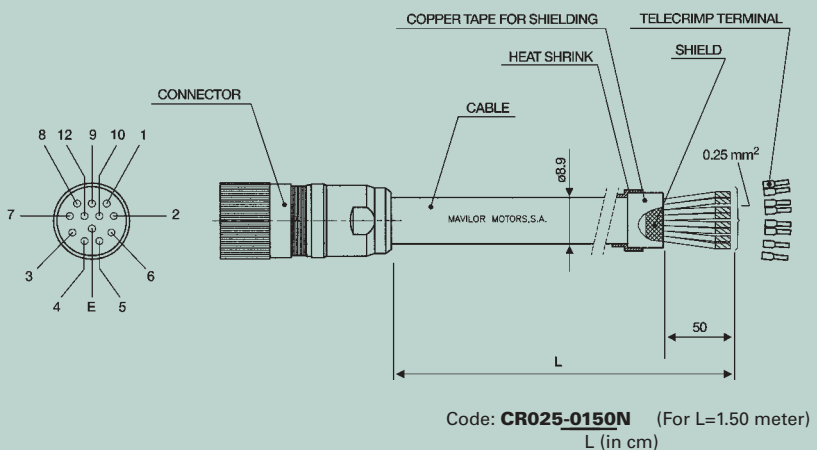


## BL-110/140 Power Cable Assembly Kit (optional)



CONTACT	COLOR	FUNCTION
1	Blue	Phase 3 W
2	Brown	Phase 1 U
⊕	Yellow/Green	Ground ⊕
4	Black	Phase 2 V
5	Red	Brake +
6	White	Brake -

## BL-110/140 Resolver Cable Assembly Kit (optional)



CONTACT	COLOR	FUNCTION
2	Pink	S2 (SEN +)
1	Grey	S4 (SEN -)
3	Blue	S1 (COS -)
4	Red	S3 (COS +)
8	Yellow	R1 (REF +)
7	Green	R2 (REF -)
5	Brown	Temp. Contact
6	White	Temp. Contact