

XtraforsBP AC Servomotors



Features

- Robust
- Compact size
- High torque
- High speed
- Low maintenance
- Greater reliability
- Increased waterproofness
- Strengthened ball bearings
- Modular construction

Power

- Stall torque 0.70 to 3.4 Nm
- Sizes 55 and 70 mm

Versions

- Wide range of feedback solutions
- VCustomized versions
- CE compliant, UL listed

XtraforsBP, AC Servomotors

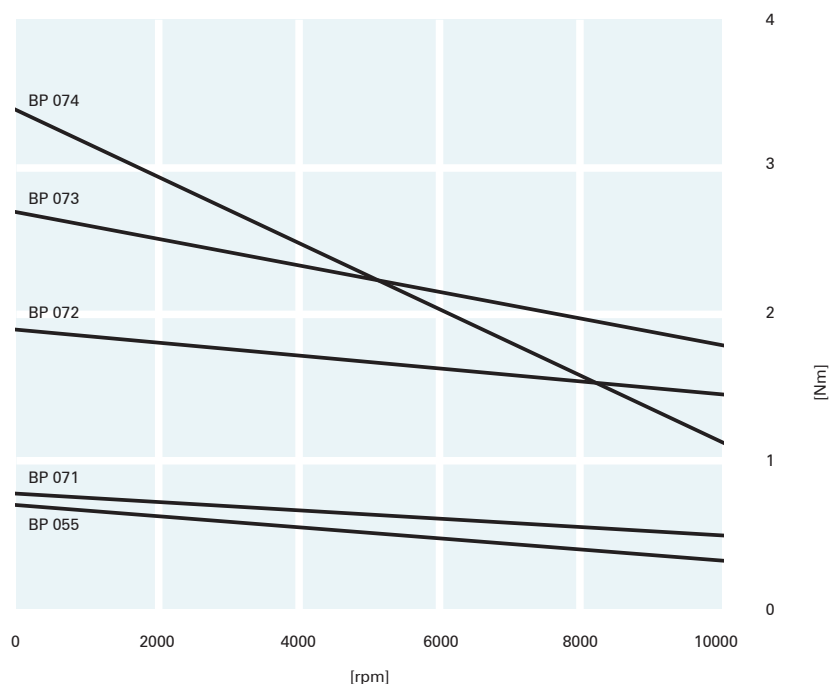
This range looks like a restyling of XtraforsBL 55 and 70mm motors with improved reliability, robustness, thermal efficiency and waterproofness.

The excellent torque/inertia-ratio gives these motors an extremely high acceleration capability.

Technical data

Type	Torque	Speed	Winding A (230VAC)		Winding 4 (400VAC)		Lenght L *		
	M _{nom}	n _{nom}	I _{nom}	n _{max} @230V	n _{max} @400V	I _{nom}	n _{max} @400V	without brake	with brake
	[Nm]	[rpm]	[Arms]	[rpm]	[rpm]	[Arms]	[rpm]	[mm]	[mm]
BP 055	0.54	6 500	1.09	7 700	10 000	0.60	7 000	130.5	169.5
BP 071	0.69	8 000	1.81	8 200	11 000	0.97	10 000	106	134.5
BP 072	1.76	6 000	3.67	7 600	11 000	2.20	7 800	126	154.5
BP 073	2.41	3 800	3.49	5 300	8 200	1.96	5 500	144	175
BP 074	2.60	3 800	3.21	4 600	7 100	1.65	4 500	162	193

Torque performances



Standard version

- Resolver feedback
- Shaft with keyway
- Protection IP-65
- Rotatable angled connectors
- NTC thermal sensor
- Windings: 400VAC and 230VAC

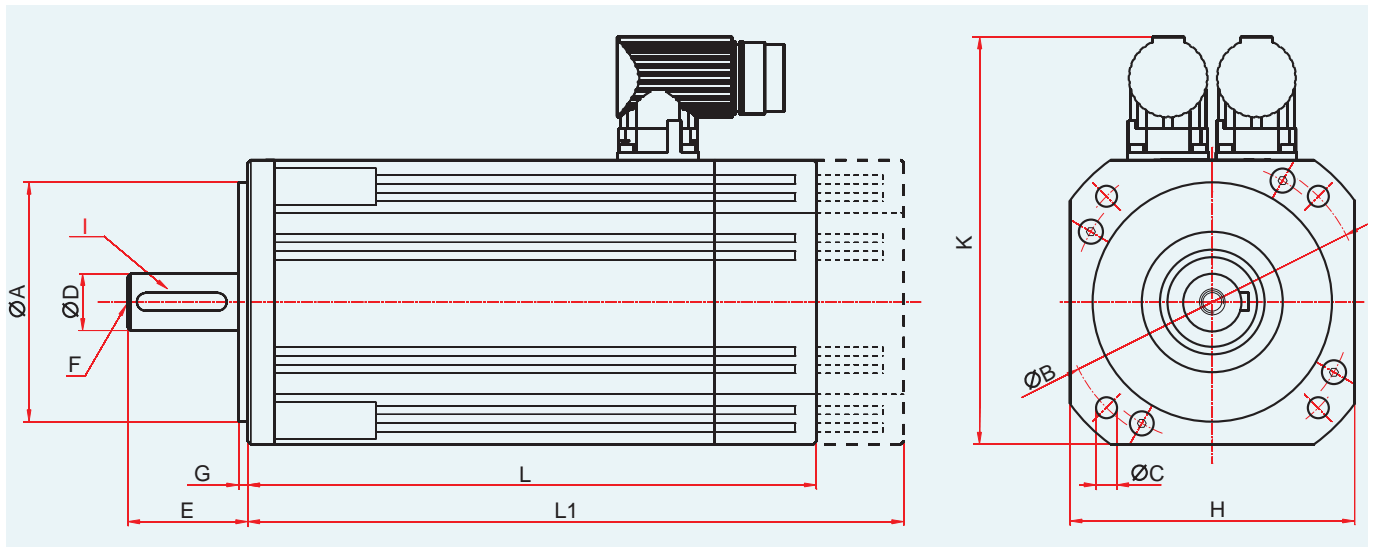
Options

- Various types of incremental encoders, SinCos encoders, Hiperface, EnDat
- Shaft without keyway
- Protection IP-67
- Shaft seal
- Straight connectors
- Direct cable output
- PTC thermal sensor

Customized versions

- Shafts (i.e. hollow shafts)
- Flanges, housings
- Windings, connections
- Executions according to customer's specification

Mechanical dimensions



Dimensions [mm]	Ø A	Ø B	Ø C	Ø D	E	F	G	H	I	K
BP 050	40 j6	65	5.5	9 k6	20	M3x9	2.5	57	A3x3x12	97
BP 070	60 j6	75	5.5	11 k6	23	M4x10	2.5	70	A4x4x14	102

Brakes

Motor type	BP 055	BP 071-072	BP 073-074
Torque [Nm]	1.0	2.0	4.5
Supply [VDC]	24 (+6% - 10%)		

Addresses

Switzerland

Infranor SA
Rue des Uttins 27
CH-1400 Yverdon-les-Bains
Phone +41 24 447 02 90
Fax +41 24 447 02 91
www.infranor.ch
info.ch@infranor.com

Infranor AG
Glattalstrasse 37
CH-8052 Zürich
Phone +41 44 308 50 00
Fax +41 44 308 50 09
www.infranor.ch
info.ch@infranor.com

Germany

Infranor GmbH
Donaustrasse 19a
D-63452 Hanau
Phone +49 6181 18012 0
Fax +49 6181 18012 90
www.infranor.de
info.de@infranor.com

France

Infranor SAS
1, rue Georges Besse
F-92160 Antony
Phone +33 1 56 45 16 00
Fax +33 1 46 74 69 56
www.infranor.fr
info.fr@infranor.com

Spain

Infranor Spain SL
Occitània, 24
E-08911 Badalona
(Barcelona)
Phone +34 93 460 16 31
Fax +34 93 399 96 08
www.infranor.com
info.es@infranor.com

Benelux

Infranor B.V.
Burg. Houtkoperlaan 9
NL - 4051 EW Ochten
Phone +31 344 64 64 17
Fax: +31 344 64 26 96
www.infranor.nl
info.nl@infranor.com

England

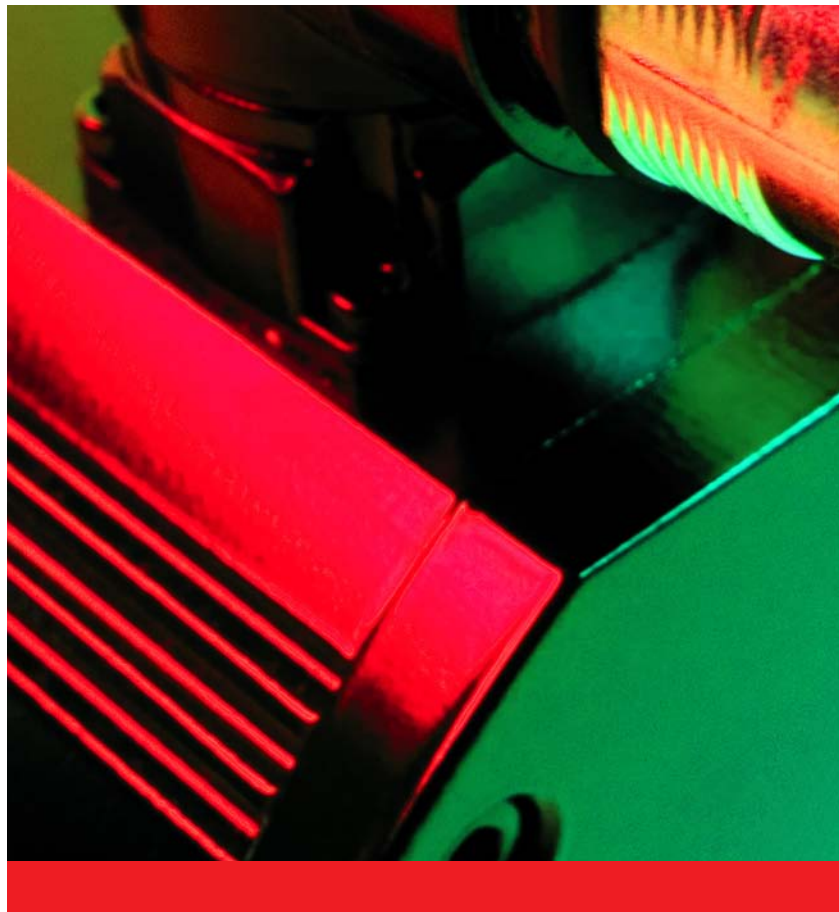
Infranor Ltd.
Studio 4, Building 555
Bentwaters Business Park
Rendlesham Suffolk
IP12 2TW
UK
Phone +44 208 144 2152
Fax +44 1394 421 192
www.infranor.com
info.uk@infranor.com

USA

Infranor, Inc.
299 Ballardvale Street Suite 4
USA-Wilmington, MA 01887
Phone +1 978 988 9002
Fax +1 978 988 9112
www.infranor.com
info.usa@infranor.com

China

**Infranor Motion Control
Technology (Shanghai) Co., Ltd.**
Room 601, No.448
Hongcao Rd
P. R. China
CN-200233 Shanghai
Phone +86 (0)21 6145 5455
Fax +86 (0)21 6145 5457
www.infranor.cn
info.cn@infranor.com



The Infranor Group

Infranor creates added value for its customers by providing tailor-made motion solutions.

Based on strong working relationships, Infranor offers extensive market know-how, comprehensive engineering skills and a wide range of high-quality products leading to productivity gains and therefore to comparative advantages for its customers in their respective markets.

The Infranor Brand

The Infranor Brand is a synonym for:

- Excellence
- Cooperation
- Added value